



PWCA-320K

Waveguide to Coaxial Adapter

WR28 to 2.92mm Female,FBP320 Square

Electrical

Frequency Range	26.3-40 GHz
Impedance	50 ohm
VSWR	1.2 Max
Average Power	-

Configuration

Waveguide Size	WR28/R320
Flange Type	UBR320/FBP320,Square
Coax Connector	2.92mm Female
Body Geometry	Right Angle

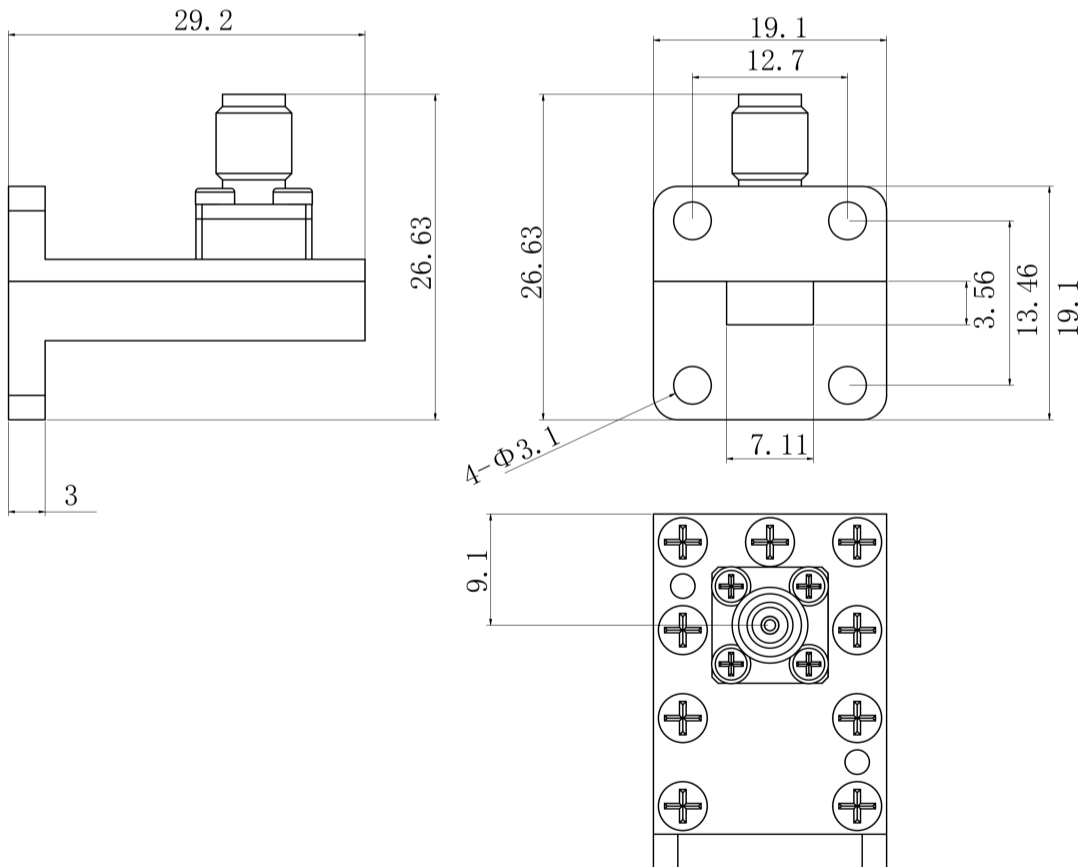
Materials

Waveguide Body	Copper, black or grey painted
Connector Body	Passivated stainless steel
Center Contact	Gold plated beryllium copper

Mechanical & Environmental

Operating Temp	-40°C to 70°C
Connector Interface	MIL-STD-348
RoHS	Compliant

Dimensions(mm) Tolerance±1%



Typical Test Data

